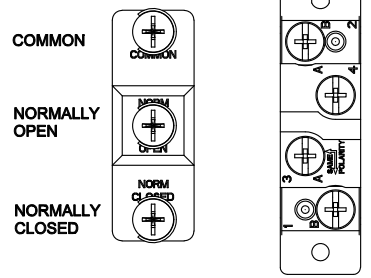
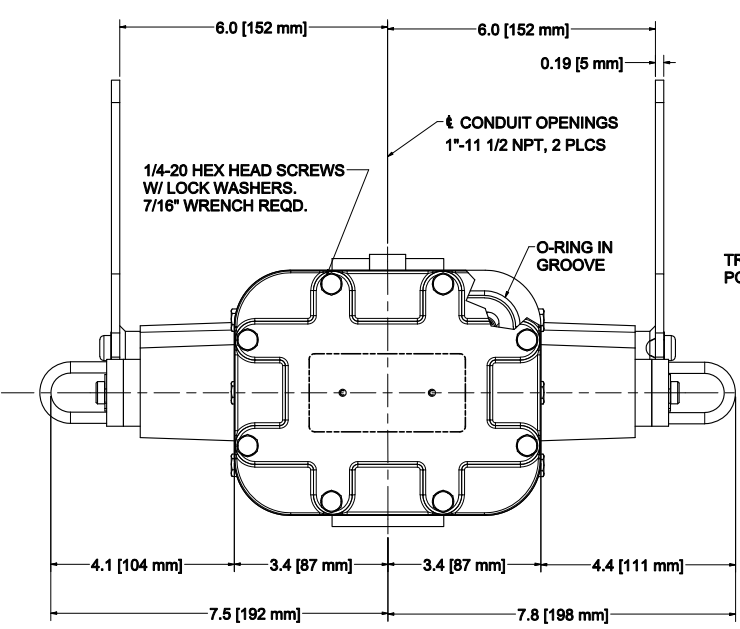
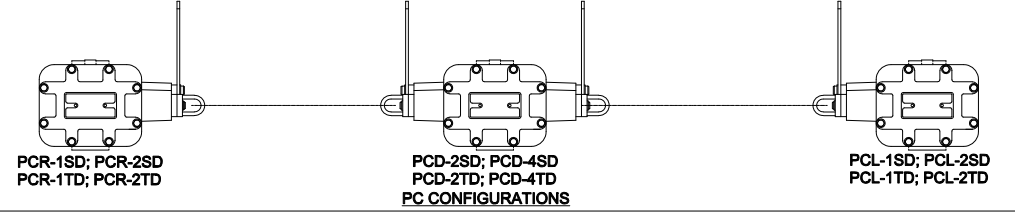


REV	ECO	DESCRIPTION	DATE	BY	APPD
A	0866c	LAYOUT LABELS	6/11/2020	LW	GL

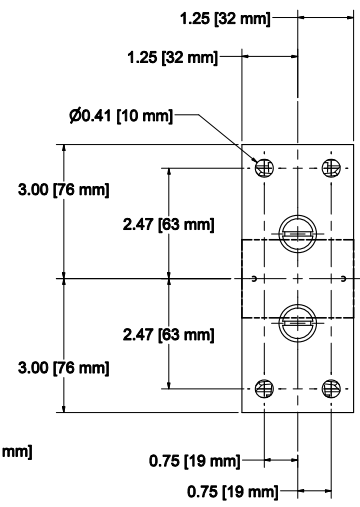
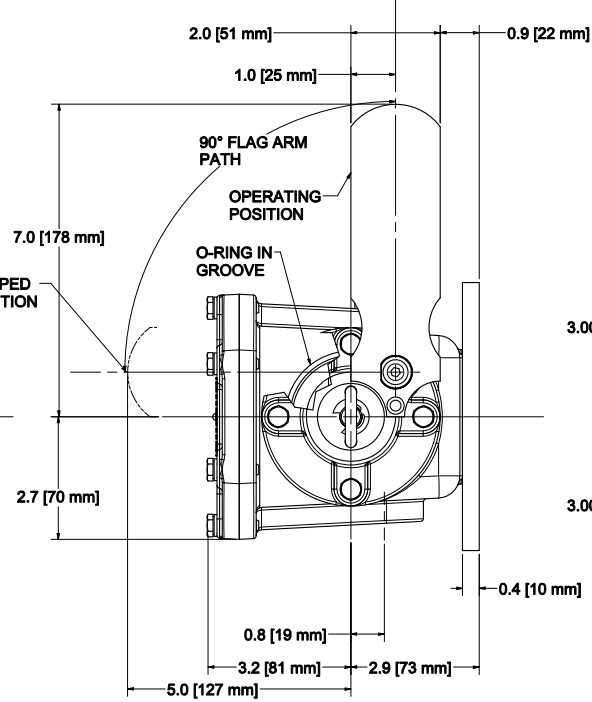


SP/DT MICRO-SWITCH -S MODELS SCALE 2 : 1
 TCDB MICRO-SWITCH -T MODELS SCALE 2 : 1

CONTACTS: TCDB
 (TWO-CIRCUIT DOUBLE BREAK);
 1 SAME POLARITY AS 3.
 1 - 2: NORMALLY OPEN
 3 - 4: NORMALLY CLOSED



VIEW 1
 SCALE .75 : 1



MODEL PCD-4SD SHOWN.
 APPROX. 16 LB PULL PER SIDE STANDARD.
 APPROX. 24 LB PULL OPTIONAL PER ORDER.
 ENCLOSURE MADE TO TYPE 4, 4X,
 TYPE 9: CLASS II, GROUPS E, F & G.

DRAWN GL	9/16/2010	Conveyor Components Company 130 Selmer Road Croswell, Michigan, U.S.A., 48422
CHECKED GL	6/11/2020	
APPROVED JK	9/20/2010	
PART		
THIS PRINT IS PROPERTY OF CONVEYOR COMPONENTS CO., AND MAY NOT BE USED IN WHOLE OR PART WITHOUT WRITTEN PERMISSION.		TITLE PC-D DUAL TYPE ENCLOSURE PRODUCT DRAWING Drawing is computer generated, and print might not be to scale.
SIZE D	DWG NO D0590067.dwg	REV A
SCALE		SHEET 1 OF 1