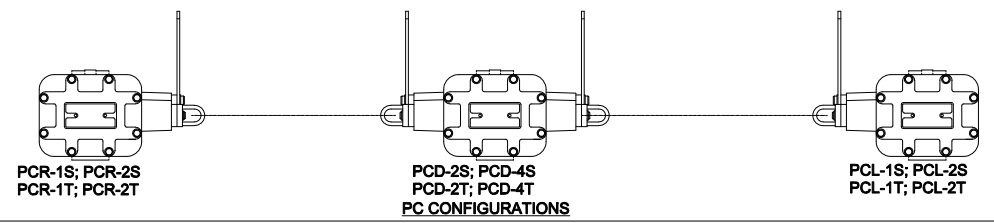
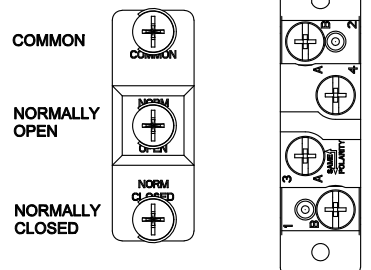


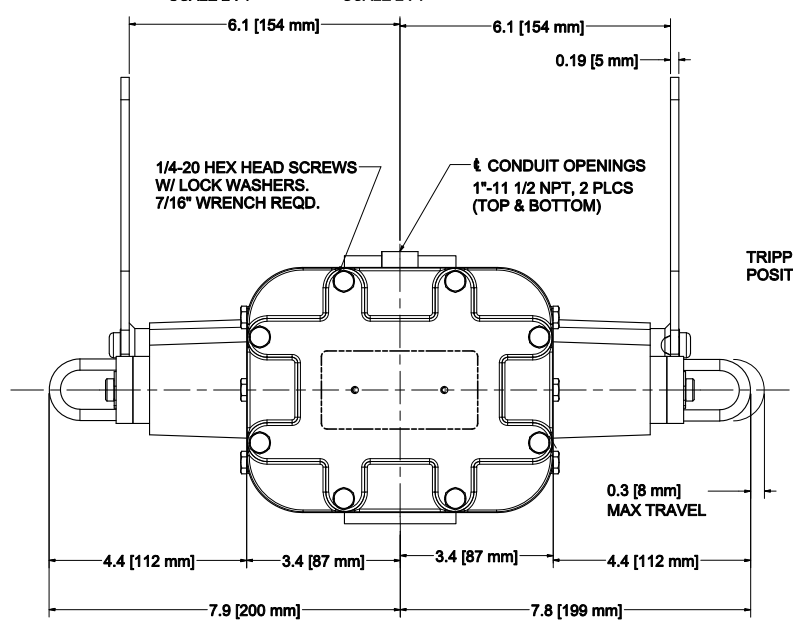
REV	ECO	DESCRIPTION	DATE	BY	APPD
A	0866c	LAYOUT LABELS	6/11/2020	LW	GL



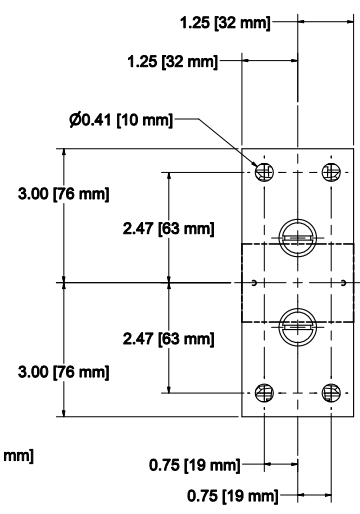
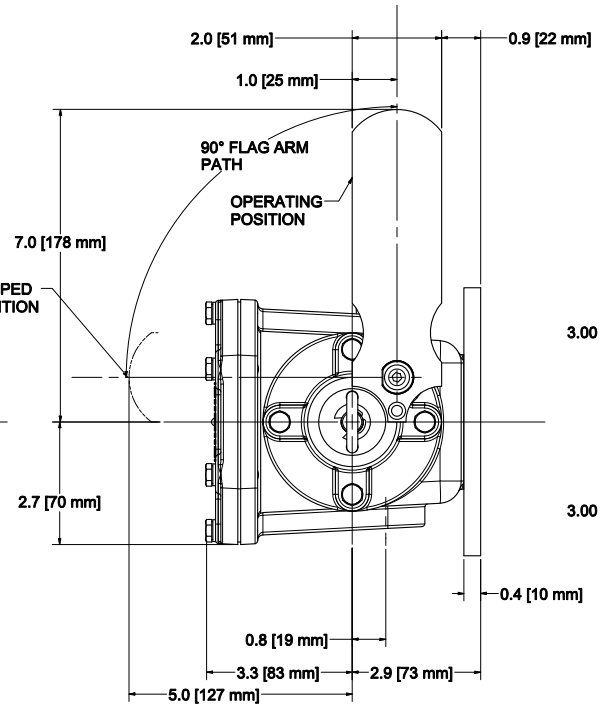
CONTACTS: TCDB
(TWO-CIRCUIT DOUBLE BREAK);
1 SAME POLARITY AS 3.
1 - 2: NORMALLY OPEN
3 - 4: NORMALLY CLOSED

SP/DT MICRO-SWITCH -S MODELS
SCALE 2 : 1

TCDB MICRO-SWITCH -T MODELS
SCALE 2 : 1



VIEW 1
SCALE .75 : 1



MODELS PCD-4S, PCD-2S, PCD-4T OR PCD-2T SHOWN.
ALL DIMS FOR REFERENCE.
APPROX. 16 LB PULL PER SIDE STANDARD.
APPROX. 24 LB PULL OPTIONAL PER ORDER.

ENCLOSURE RATED:
UL: Types 3, 4, 4X
CSA: Encl 3, 3S, 4

DRAWN GL	10/4/2011	Conveyor Components Company 130 Selmer Road Crowell, Michigan, U.S.A., 49422
CHECKED GL	6/11/2020	
APPROVED JK	10/4/2011	
PART		
THIS PRINT IS PROPERTY OF CONVEYOR COMPONENTS CO., AND MAY NOT BE USED IN WHOLE OR PART WITHOUT WRITTEN PERMISSION.		TITLE RAIN TIGHT PC SERIES Drawing is computer generated, and print might not be to scale SIZE D DWG NO D0590068.dwg SCALE REV A
		SHEET 1 OF 1