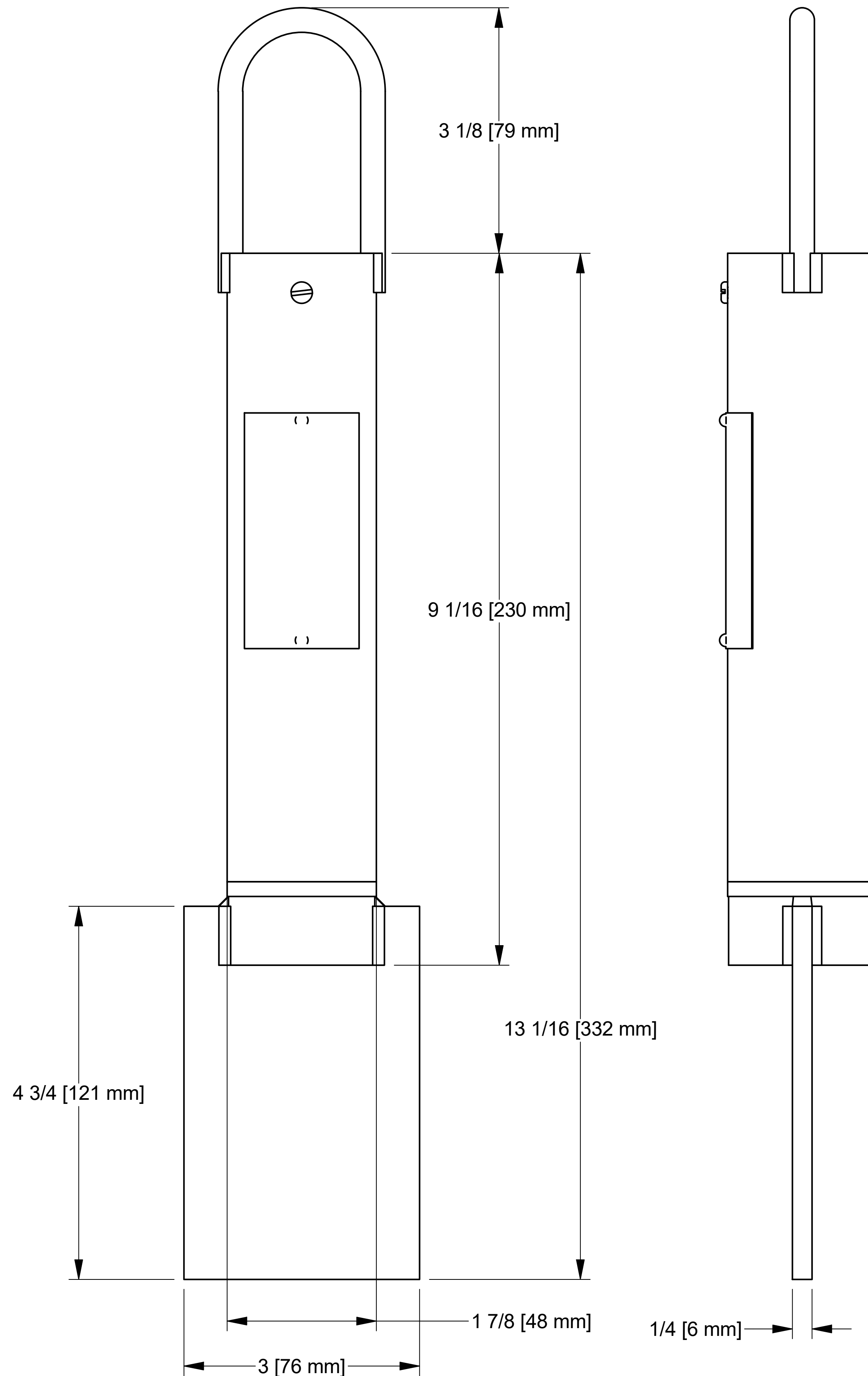
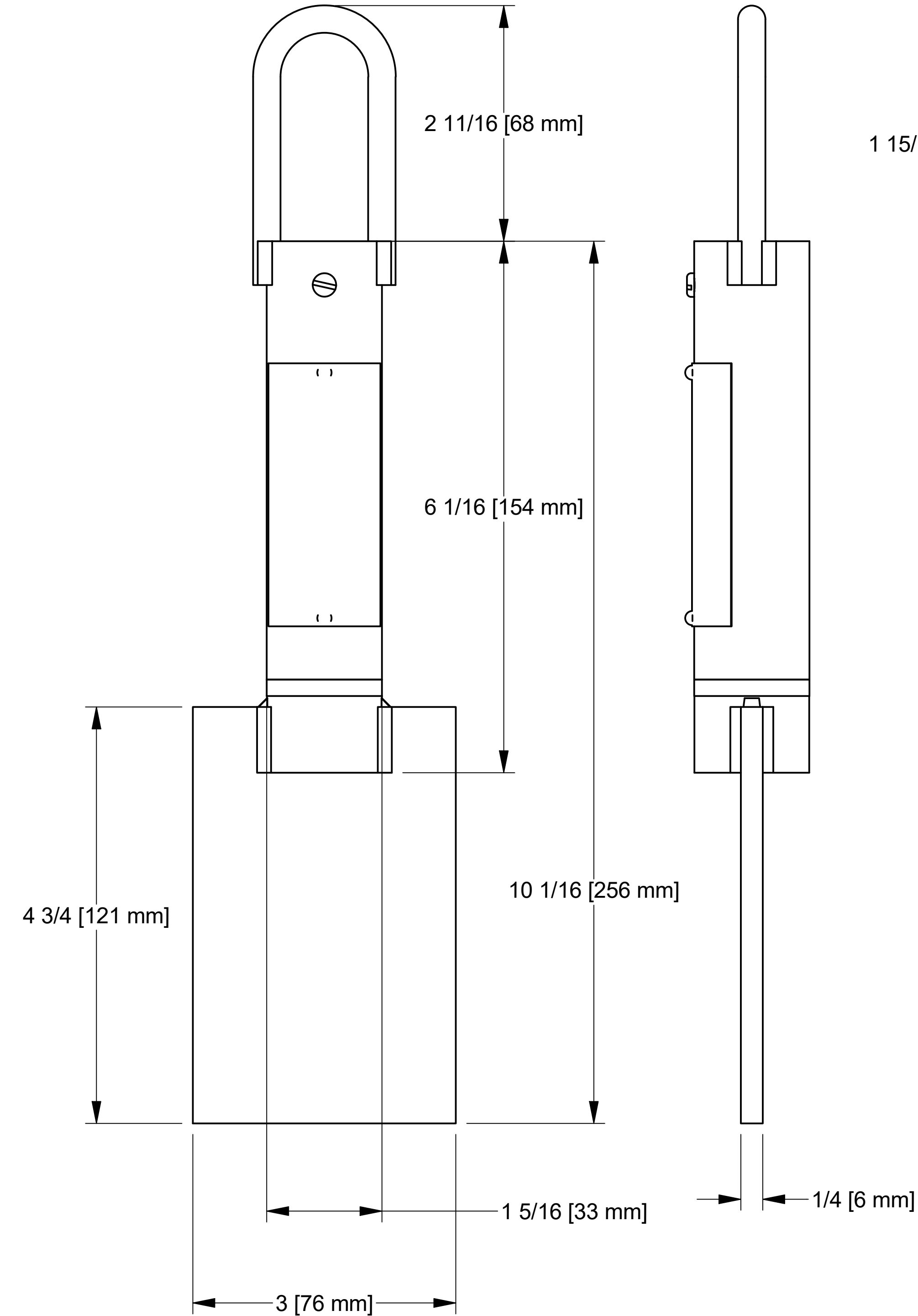


REV	ECO	DESCRIPTION	DATE	BY	APPD
A	0235c	NEW DRAWING	9/20/2021	LW	GL

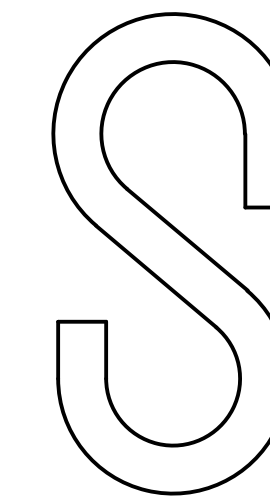
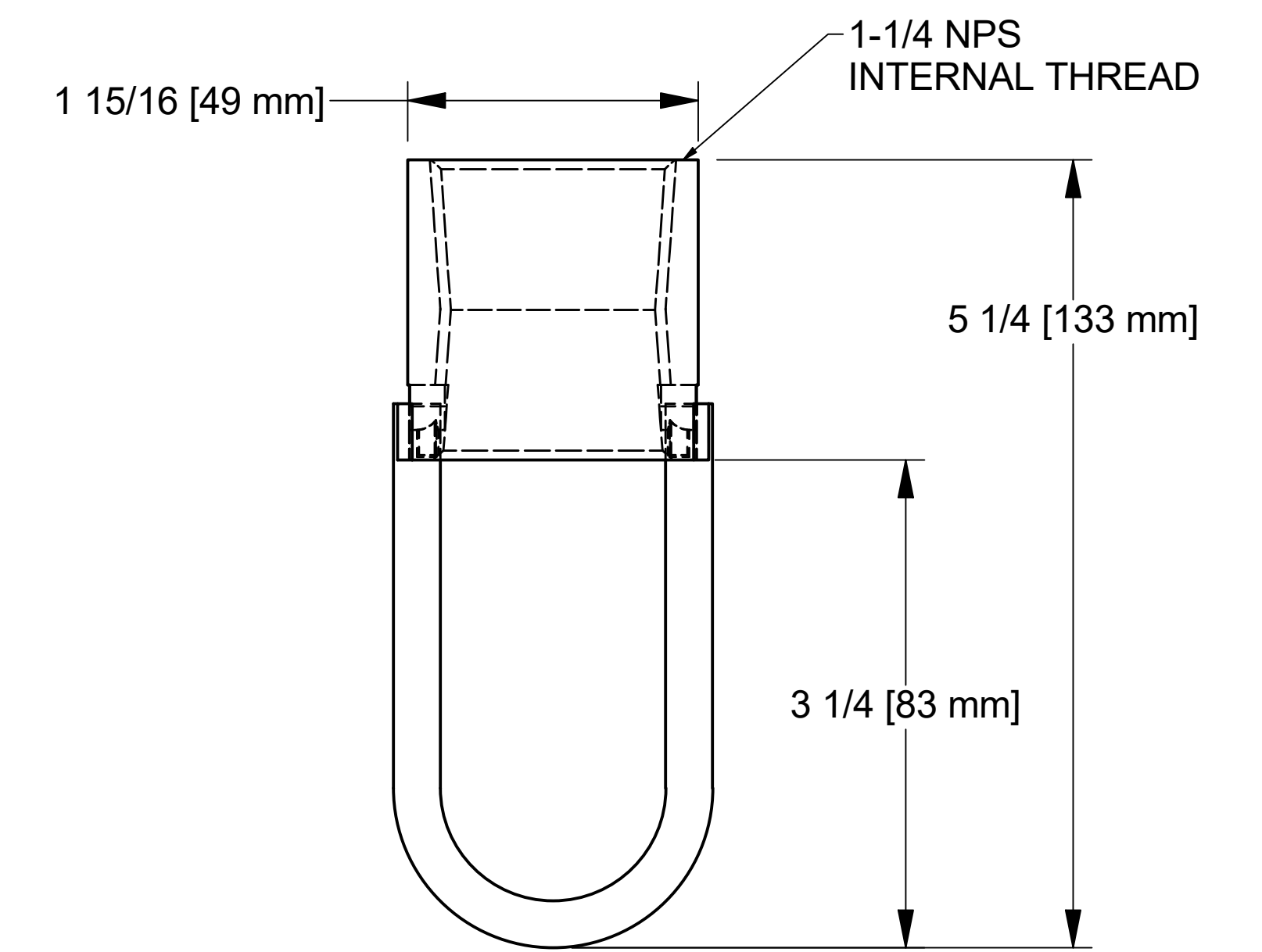
CT-201SGP / CT-201SGNP  
STAINLESS STEEL  
STANDARD SIZE  
PROBE WITH PADDLE



CT-200SGP / CT-200SGNP  
STAINLESS STEEL  
COMPACT PROBE  
WITH PADDLE




CT-400S  
STAINLESS STEEL  
MOUNTING  
BRACKET



CT-500S  
STAINLESS STEEL  
S-HOOK

DIMENSIONS ARE FOR REFERENCE ONLY, AND  
ARE SUBJECT TO CHANGE WITHOUT NOTICE.

DRAWN LW	9/20/2021	 <b>Conveyor Components Company</b> Division of Material Control, Inc. 130 Seltzer Road, Croswell, Michigan 48422 U.S.A.	
CHECKED GL	9/20/2021		TITLE
APPROVED GL	9/20/2021		CT-SGP PROBE PRODUCT DRAWING
PART			Drawing is computer generated, and print might not be to scale
THIS PRINT IS PROPERTY OF CONVEYOR COMPONENTS CO., AND MAY NOT BE USED IN WHOLE OR PART WITHOUT WRITTEN PERMISSION.		SIZE D	DWG NO D0020101.dwg REV A
		SCALE	SHEET 1 OF 1