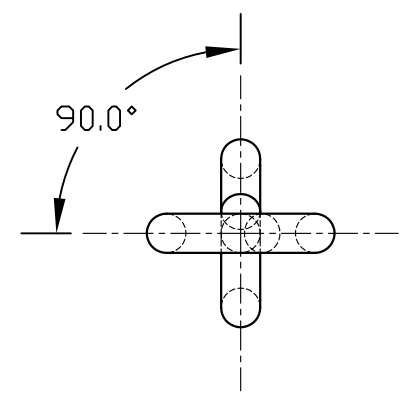
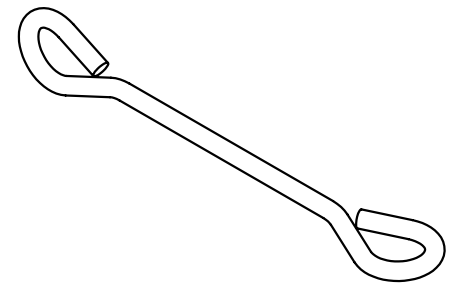
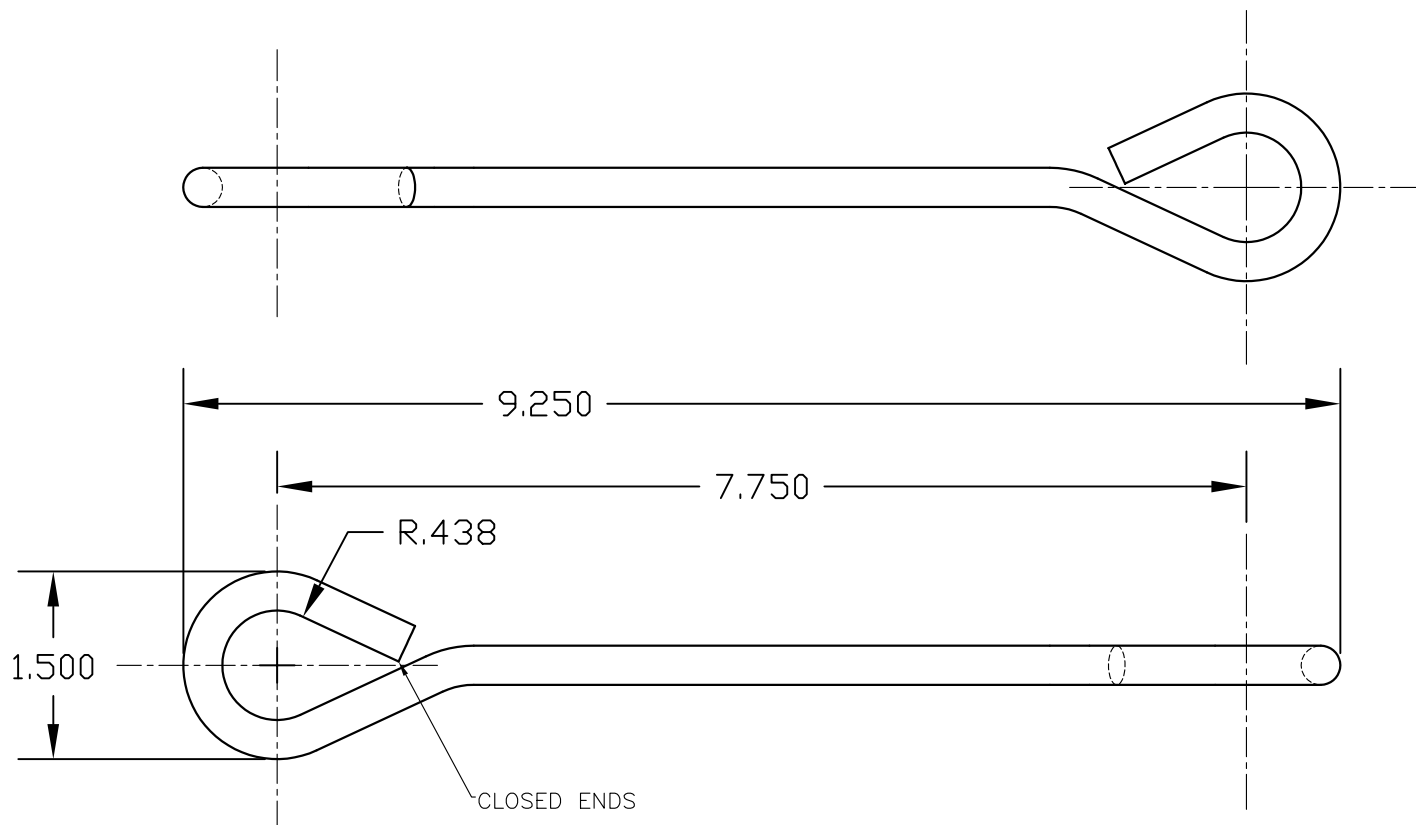



2/22/2007 2:56:45 PM, 1:3.07017, GL; THIS COPY MAY CONTAIN CHANGES,
 DESTROY ALL PREVIOUS COPIES.

REVISIONS				
REV.	E.C.O.	DESCRIPTION	DATE	BY APP'D
X	XXXX	X	02/22/07	JKK XXX



MATL: ϕ 0.313 STEEL.
 FINISH: BRIGHT ZINC PLATE.

 CONVEYOR COMPONENT COMPANY 130 SELTZER RD., CROSWELL, MICH. 48422	
<i>THIS PRINT HAS NO SCALE & SHOULD NOT BE SCALED</i>	
DRAWN: GL CHECK: XXX APPR: JK	02/22/07 XX/XX/XX 02/22/07
THIS DRAWING WAS COMPUTER GENERATED IN FULL SCALE.	
DOUBLE END EYEBOLT	
<small>THIS PRINT IS THE PROPERTY OF CONVEYOR COMPONENT COMPANY AND MUST NOT BE USED IN WHOLE OR PART WITHOUT WRITTEN PERMISSION PLEASE RETURN ON DEMAND</small>	PART NO. RS-23 DWG NO. D0170123 REV. -