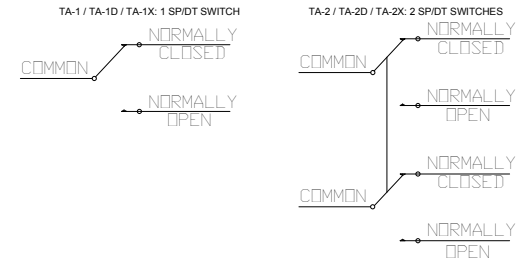
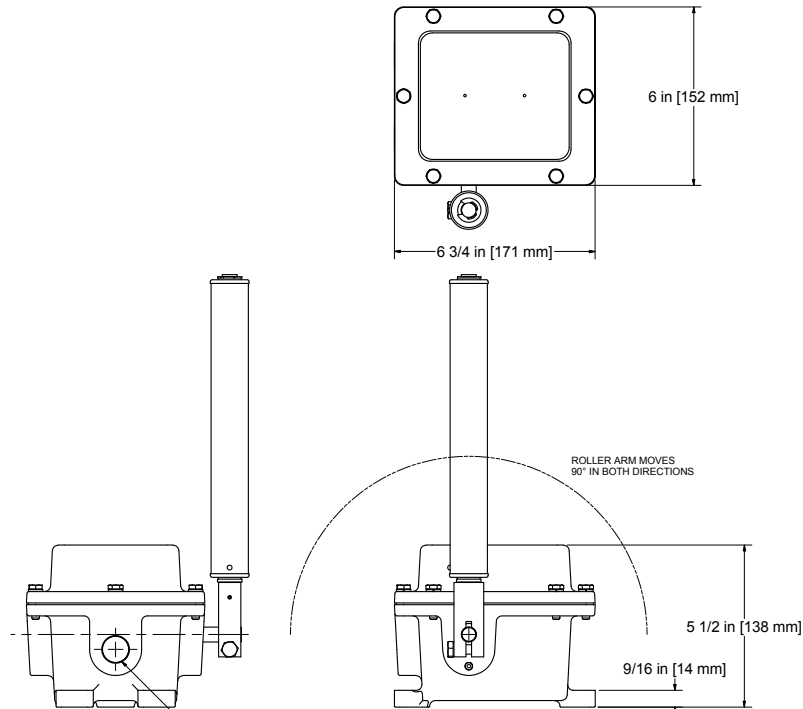


REV	ECO	DESCRIPTION	DATE	BY	APPD
B	15758	CHANGE MOUNTING VIEW	9/7/2014	JK	JK

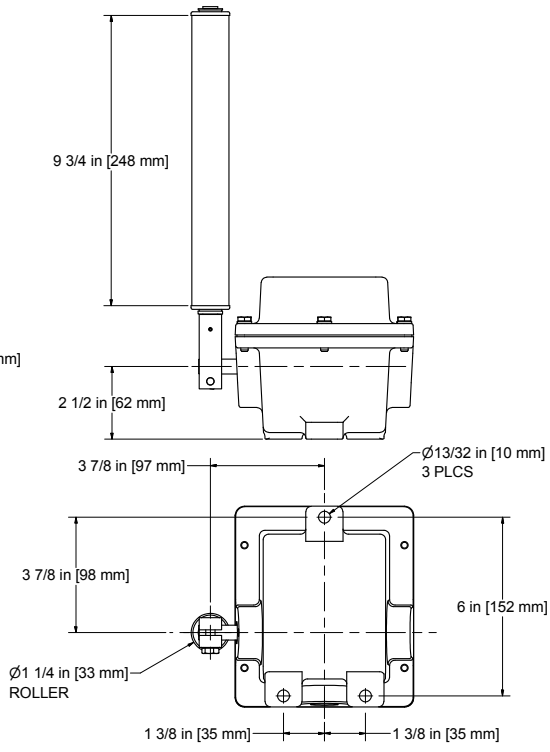
ELECTRICAL DATA



**SP/DT CONTACT RATINGS:**  
 20 A, 125/250/480 V AC  
 10 A, 125 V AC INDUCTIVE  
 1 HP, 125 V AC; 2 HP, 250 V AC  
 1/2 A, 125 V DC; 1/4 A, 250 V DC



3/4 NPT CONDUIT ENTRY  
SHIPS WITH TEMPORARY PLUG



Ø1 1/4 in [33 mm]  
ROLLER

MOUNTING PATTERN

ALL DIMS FOR REFERENCE ONLY.  
 EPOXY COATING AVAILABLE.  
 OTHER ROLLER LENGTHS AVAILABLE.

△  
 TYPE 4X ENCLOSURE SHOWN.

TYPE 4X AND CLASS II, GROUPS E, F & G  
 (DUST-IGNITION PROOF) MODELS AVAILABLE.

CLASS I, GROUPS C & D, CLASS II, GROUPS E, F & G  
 HAZARDOUS LOCATIONS MODELS AVAILABLE.

DRAWN	11/25/2002	 Conveyor Components Company Division of Material Control, Inc. 130 Seltzer Road, Coovert, Michigan 48422 U.S.A.
CHECKED	8/8/2014	
APPROVED	11/25/2002	TITLE
PART		MODEL TA SP/DT PRODUCT DRAWING
C1030010 THIS PRINT IS PROPERTY OF CONVEYOR COMPONENTS CO., AND MAY NOT BE USED IN WHOLE OR PART WITHOUT WRITTEN PERMISSION.		Drawing is computer generated, and print might not be to scale. SIZE: [ ] DWG NO: [ ] REV: [ ] D: C1030010.dwg B SCALE: [ ] SHEET 1 of 1