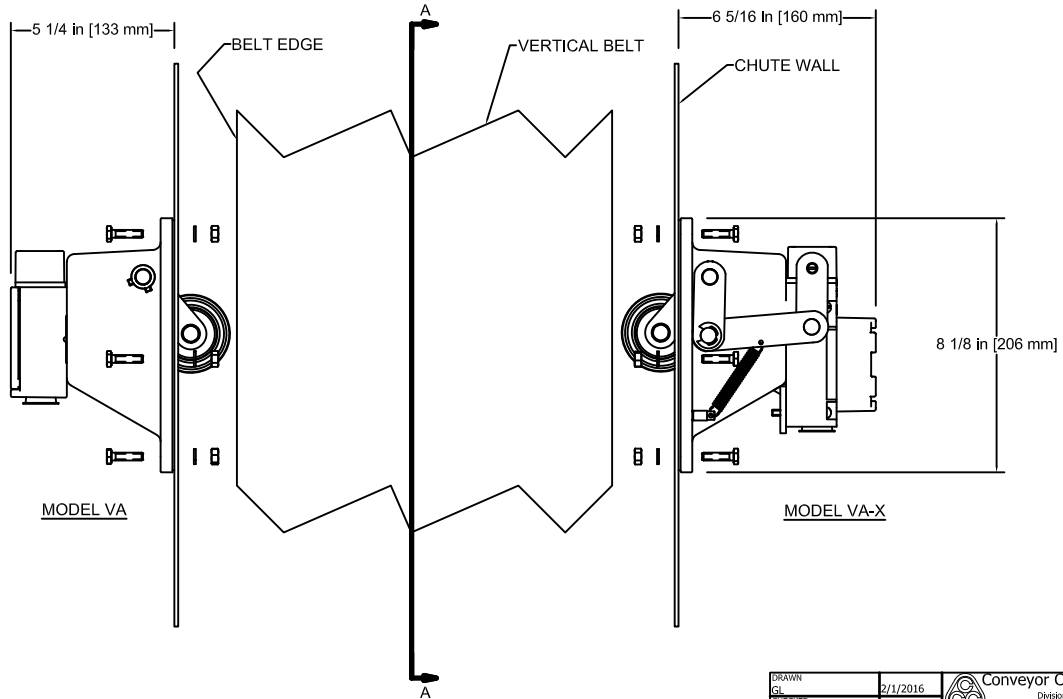
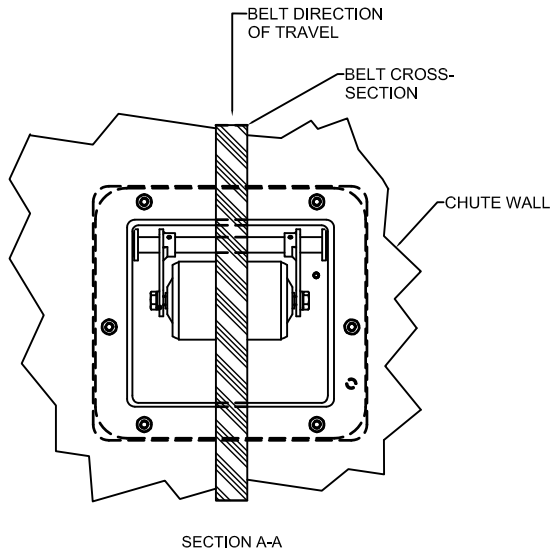
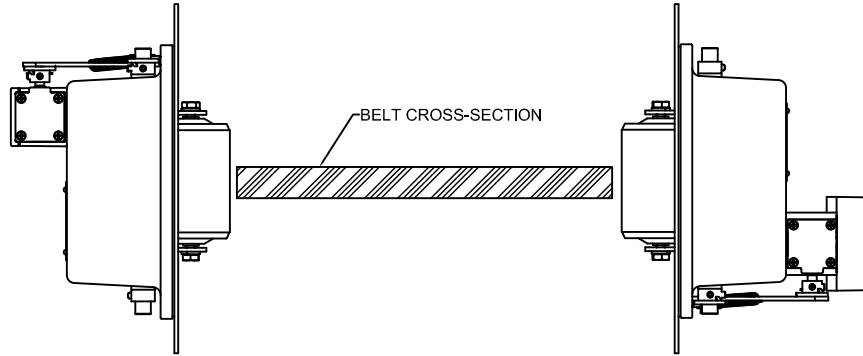



REV	ECO	DESCRIPTION	DATE	BY	APPD
01	4c	INITIAL RELEASE	2/2/2016	GL	DLG



DRAWN	GL	2/1/2016	 Conveyor Components Company Division of Materiel Control, Inc. 130 Seltzer Road, Crosswile, Michigan 48422 U.S.A.
CHECKED	DLG	5/10/2016	
APPROVED	DLG	5/10/2016	TITLE
PART	D0060070		INSTALLATION DIAGRAM: CAST VA AND VA-X
THIS PRINT IS PROPERTY OF CONVEYOR COMPONENTS CO., AND MAY NOT BE USED IN WHOLE OR PART WITHOUT WRITTEN PERMISSION.			Drawing is computer generated, and print might not be to scale SIZE: D DWG NO: D0060070.dwg SCALE:
			REV
			SHEET 1 OF 1