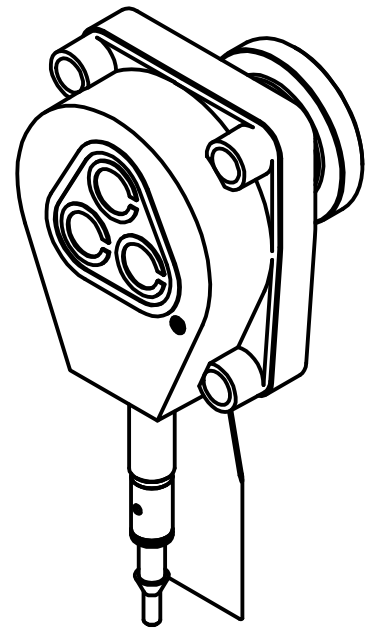
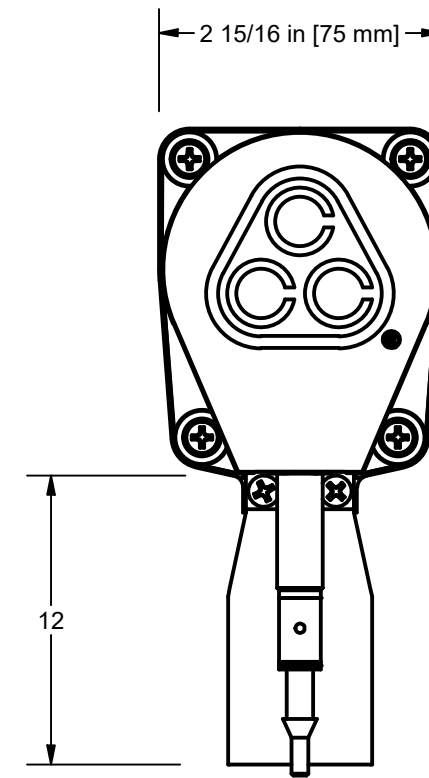
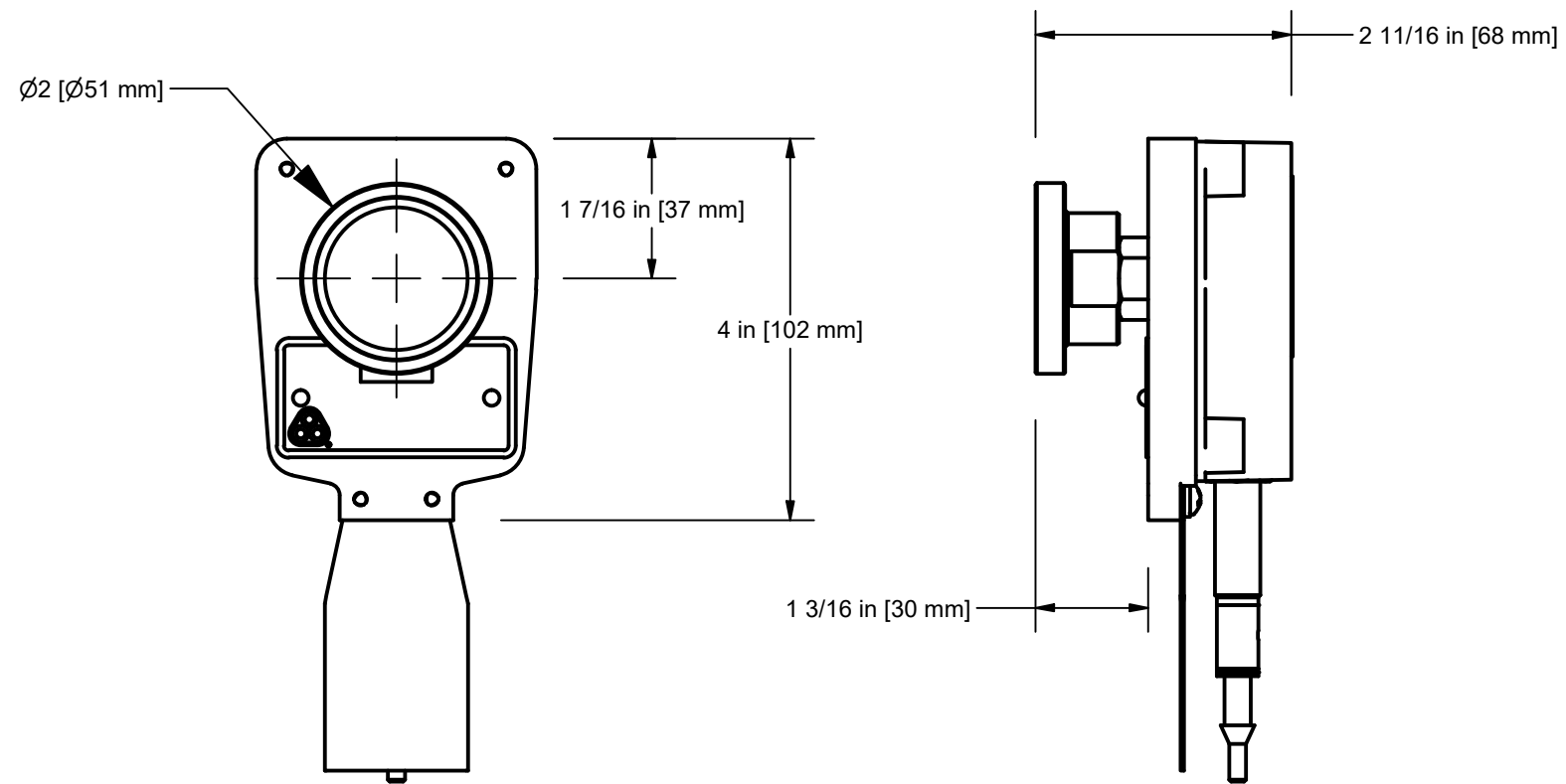
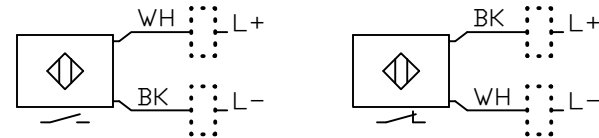


REV	ECO	DESCRIPTION	DATE	BY	APPD
A	0439c	NEW DRAWING	9/22/2022	LW	DCC

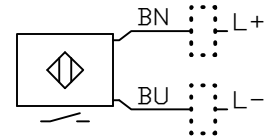


ELECTRICAL CHARACTERISTICS

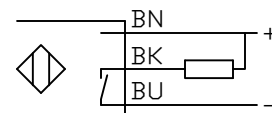
MCM-2S
 2-WIRE SENSOR
 10-55 VDC INPUT
 400mA OUTPUT



ALTERNATE SENSOR
 10-30 VDC INPUT
 <100mA OUTPUT




MCM-3S
 3-WIRE SENSOR
 10-30 VDC INPUT
 <200mA OUTPUT, NPN



MCM-2S: 2-WIRE SENSOR FOR USE WITH RMS SERIES CONTROLLER OR OTHER USER SUPPLIED CONTROLLER (PLC, DCS, ect.)

MCM-3S: 3-WIRE SENSOR FOR USE WITH MSD-800 SERIES CONTROLLER WITH READOUT OR OTHER USER SUPPLIED CONTROLLER (PLC, DCS, ect.)

ALL DIMS FOR REFERENCE ONLY.

DRAWN LW	5/10/2022	 Conveyor Components Company Division of Material Control, Inc. 130 Seltzer Road, Crosswell, Michigan 48422 U.S.A.
CHECKED DCC	9/23/2022	
APPROVED DCC	9/23/2022	TITLE
PART MCM		MCM - MAGNETICALLY COUPLED MOTION SENSOR
THIS PRINT IS PROPERTY OF CONVEYOR COMPONENTS CO., AND MAY NOT BE USED IN WHOLE OR PART WITHOUT WRITTEN PERMISSION.		Drawing is computer generated, and print might not be to scale
SIZE B	DWG NO D1380010.dwg	REV A
SCALE	SHEET 1 OF 1	